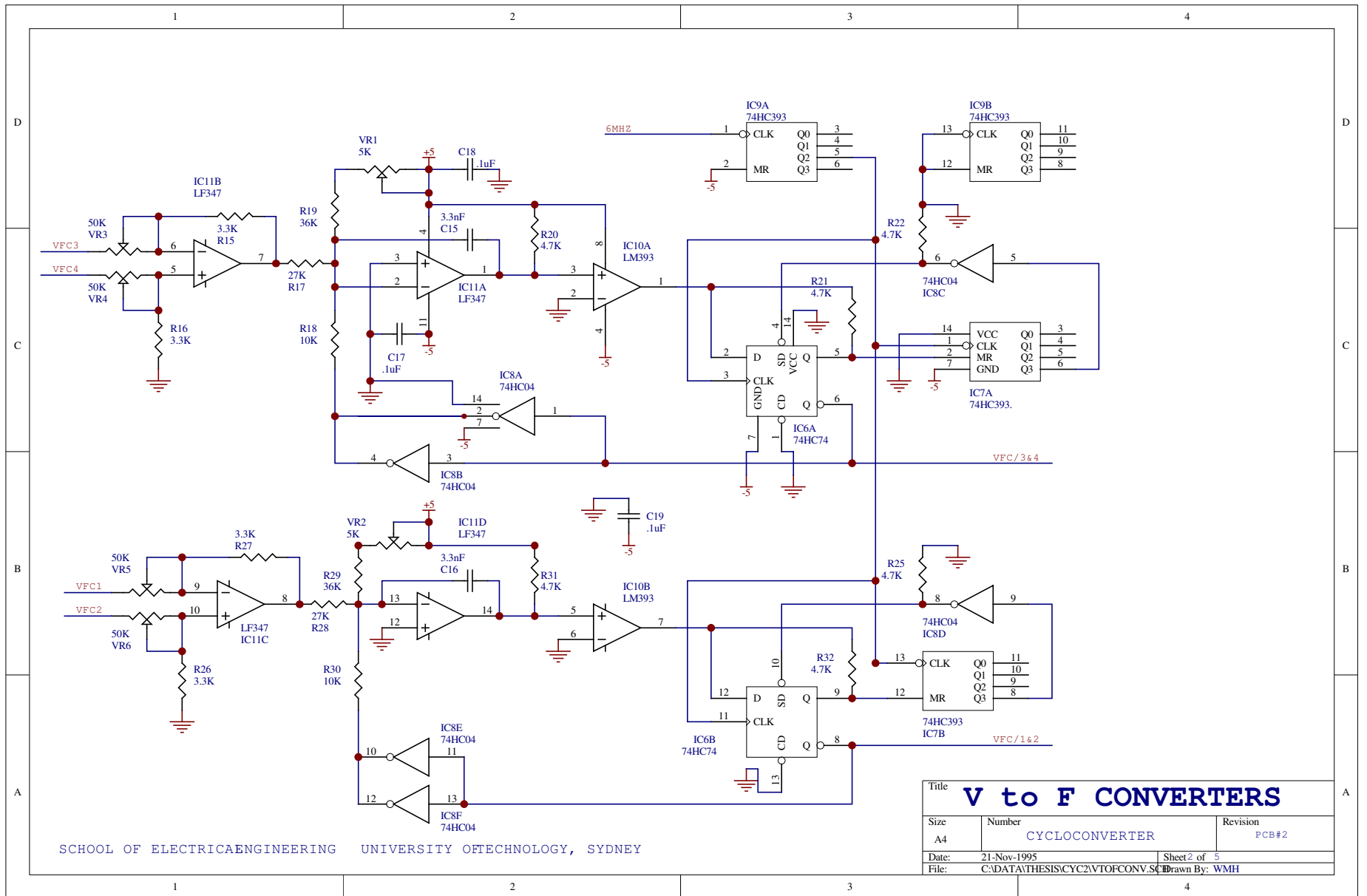


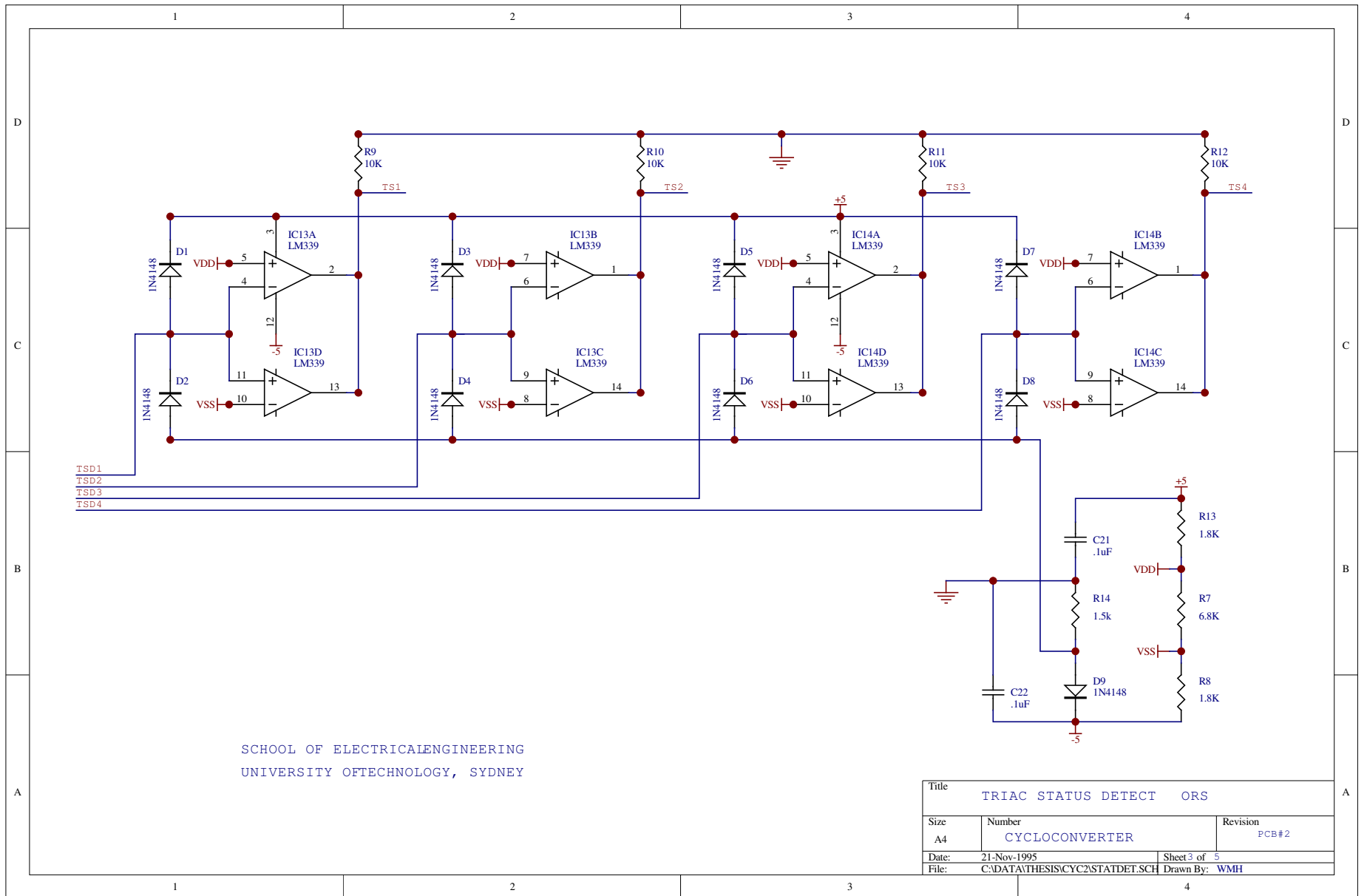
SCHOOL OF ELECTRICAL ENGINEERING
UNIVERSITY OF TECHNOLOGY, SYDNEY

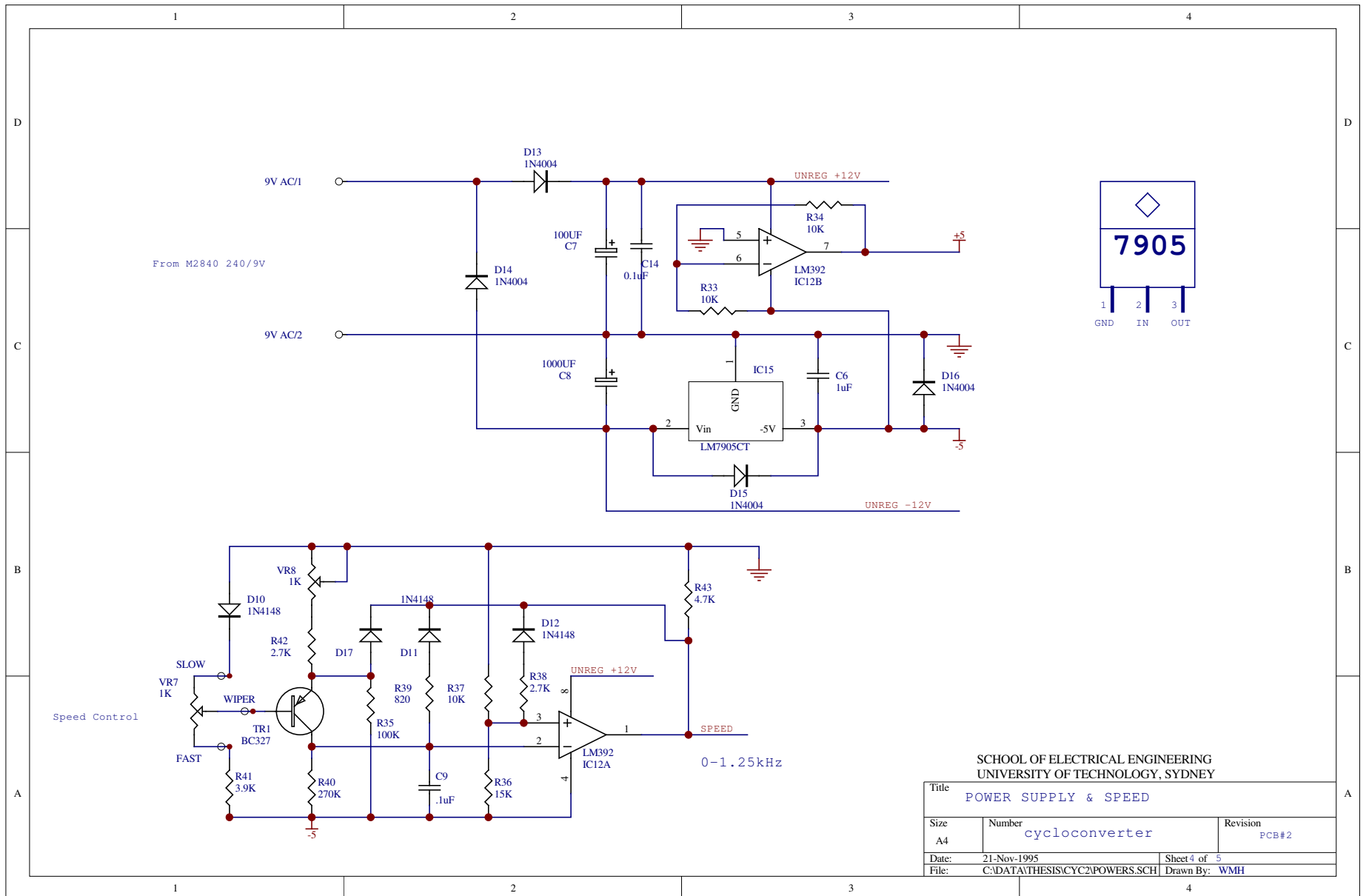
Title PROCESSOR & ZCD		
Size A4	Number cycloconverter	Revision PCB#2
Date: 21-Nov-1995	Sheet 1 of 5	
File: C:\DATA\THESIS\CYC2\MICROZCD.SCH	Drawn By: RMH	



SCHOOL OF ELECTRICAL ENGINEERING UNIVERSITY OF TECHNOLOGY, SYDNEY

Title V to F CONVERTERS		
Size A4	Number CYCLOCONVERTER	Revision PCB#2
Date: 21-Nov-1995	Sheet 2 of 5	
File: C:\DATA\THESIS\CYC2\VTOFCONV.SCH	Drawn By: WMH	





SCHOOL OF ELECTRICAL ENGINEERING UNIVERSITY OF TECHNOLOGY, SYDNEY		
Title	POWER SUPPLY & SPEED	
Size A4	Number cycloconverter	Revision PCB#2
Date:	21-Nov-1995	Sheet 4 of 5
File:	C:\DATA\THESIS\CYC2\POWERS.SCH	Drawn By: WMH

