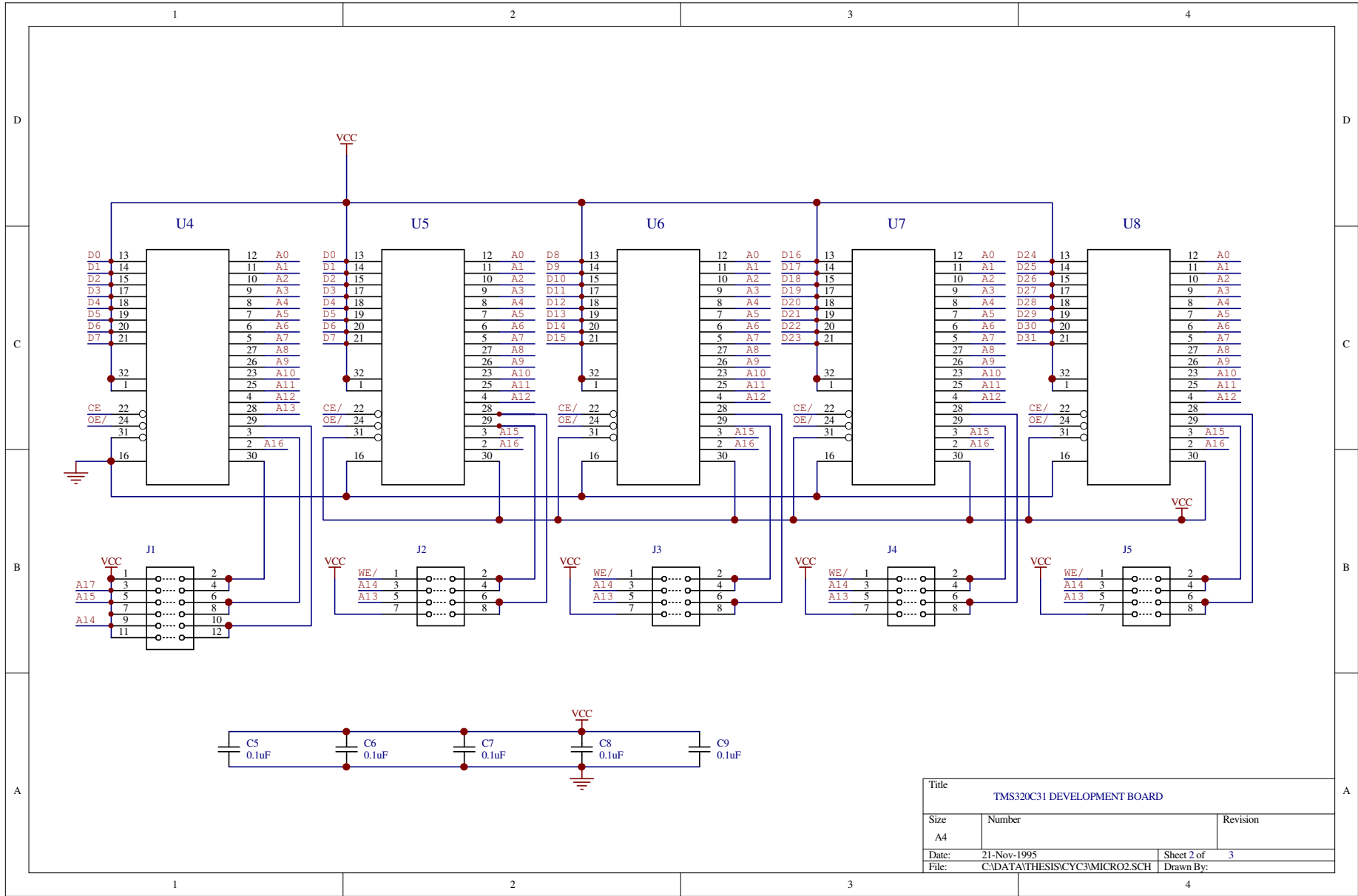
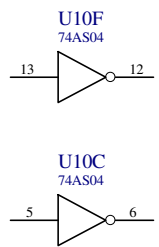
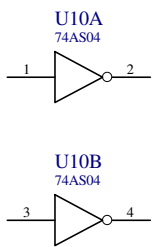
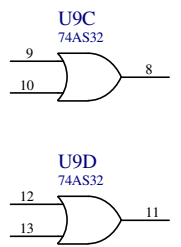
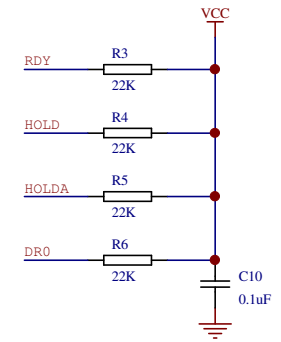
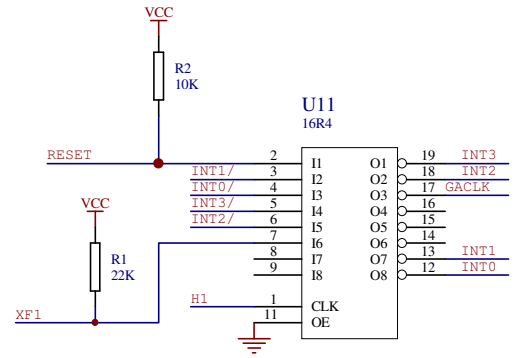
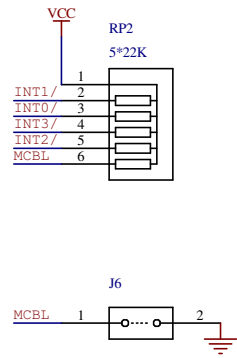
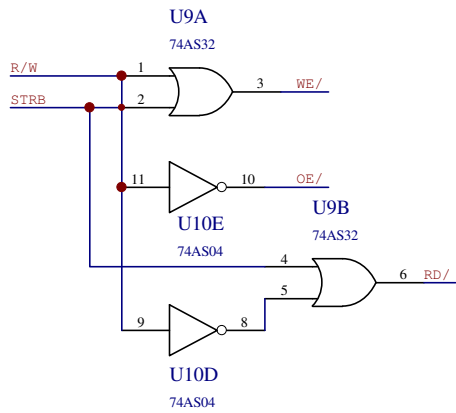


Title TMS320C31 DEVELOPMENT BOARD		
Size A4	Number	Revision
Date: 21-Nov-1995	Sheet 1 of 3	3
File: C:\DATA\THESIS\CYC3\MICRO1.SCH	Drawn By:	

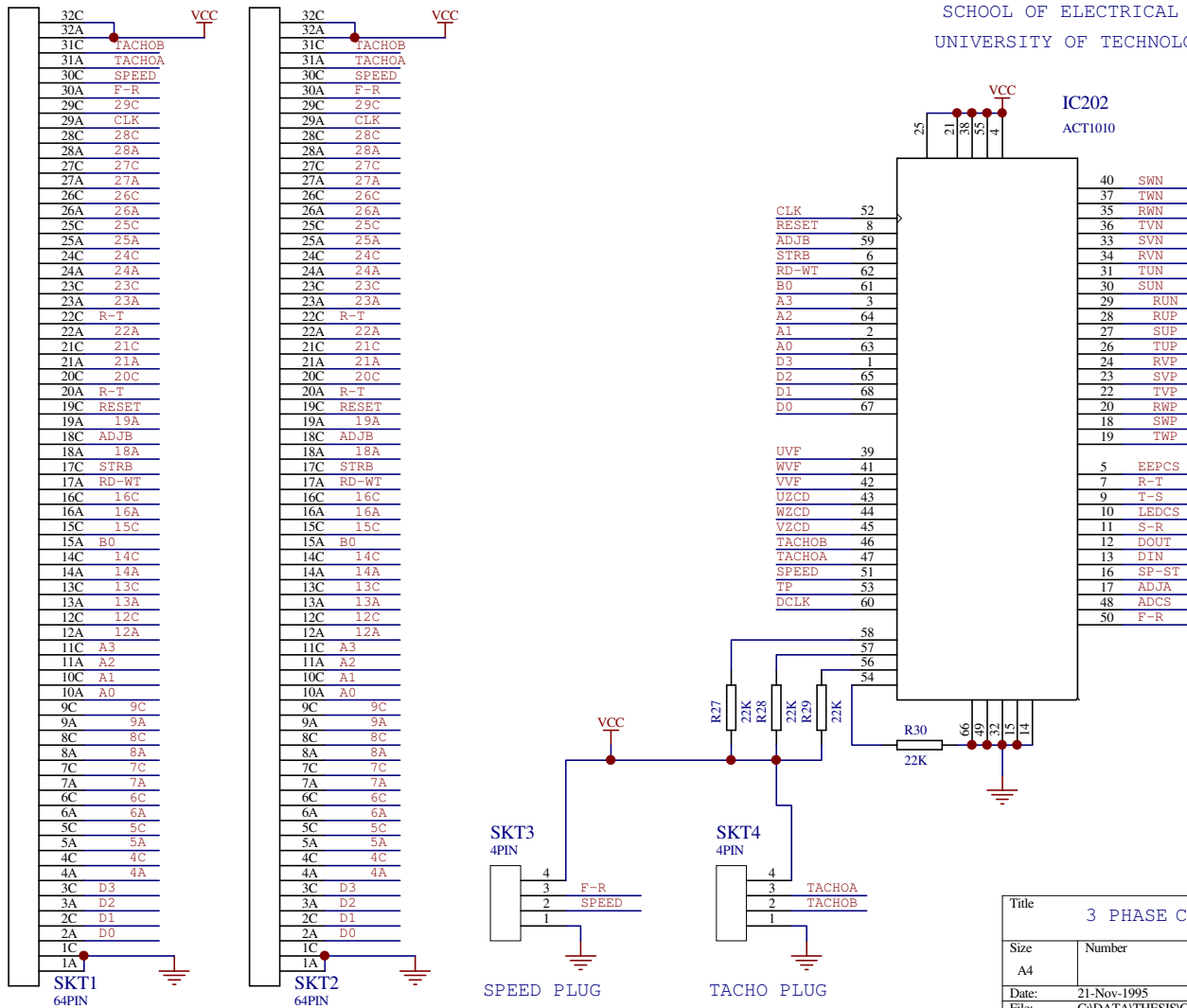


Title		
TMS320C31 DEVELOPMENT BOARD		
Size	Number	Revision
A4		
Date:	21-Nov-1995	Sheet 2 of 3
File:	C:\DATA\THESIS\CYC3\MICRO2.SCH	Drawn By:

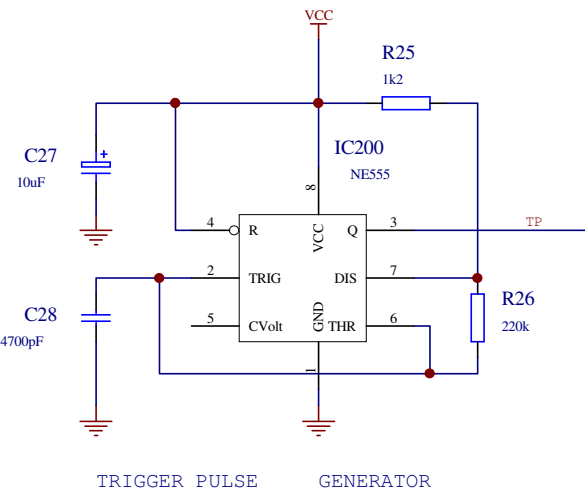


Title		
TMS320C31 DEVELOPMENT BOARD		
Size	Number	Revision
A4		
Date:	21-Nov-1995	Sheet 3 of 3
File:	C:\DATA\THESIS\CYC3\MICRO3.SCH	Drawn By:

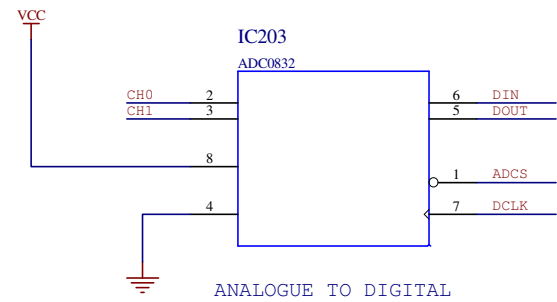
BOARD
TO MICROPROCESSOR



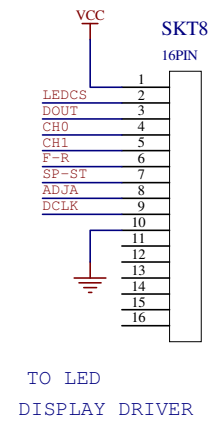
Title			
3 PHASE CYCLOCONVERTOR			
Size	Number	MOTHER BOARD LOGIC ARRAY	Revision
A4			15-NOV 1991
Date:	21-Nov-1995	Sheet 1 of	4
File:	C:\DATA\THESIS\CYC3\MOTHER1.SCH Drawn By S. J.		



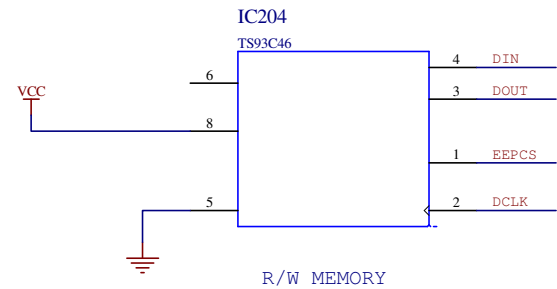
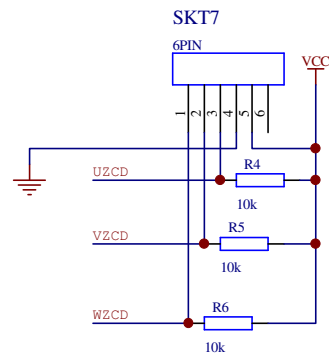
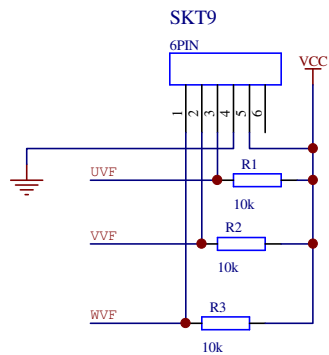
TRIGGER PULSE GENERATOR



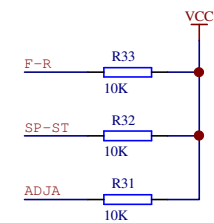
ANALOGUE TO DIGITAL



TO LED DISPLAY DRIVER

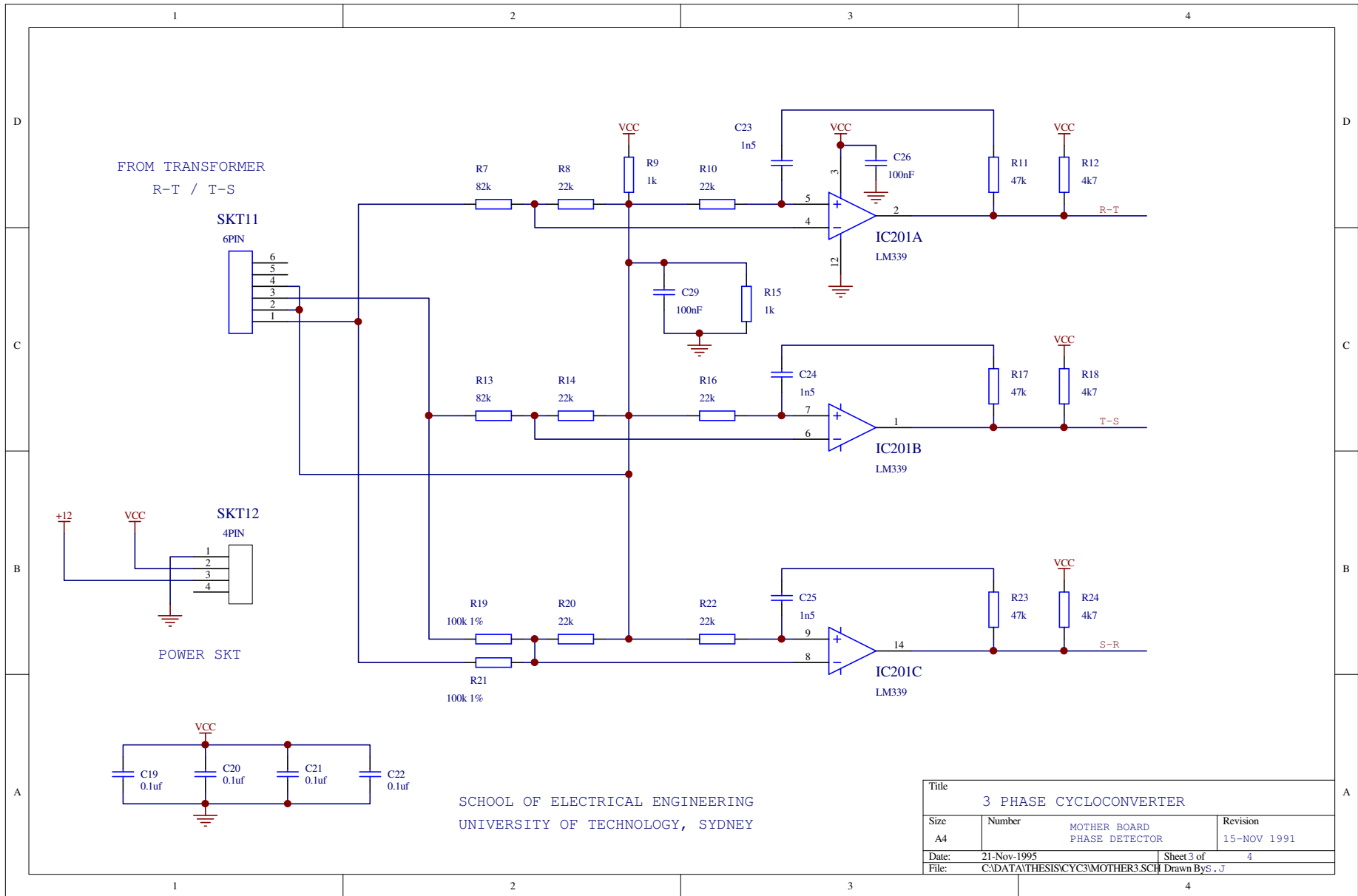


R/W MEMORY

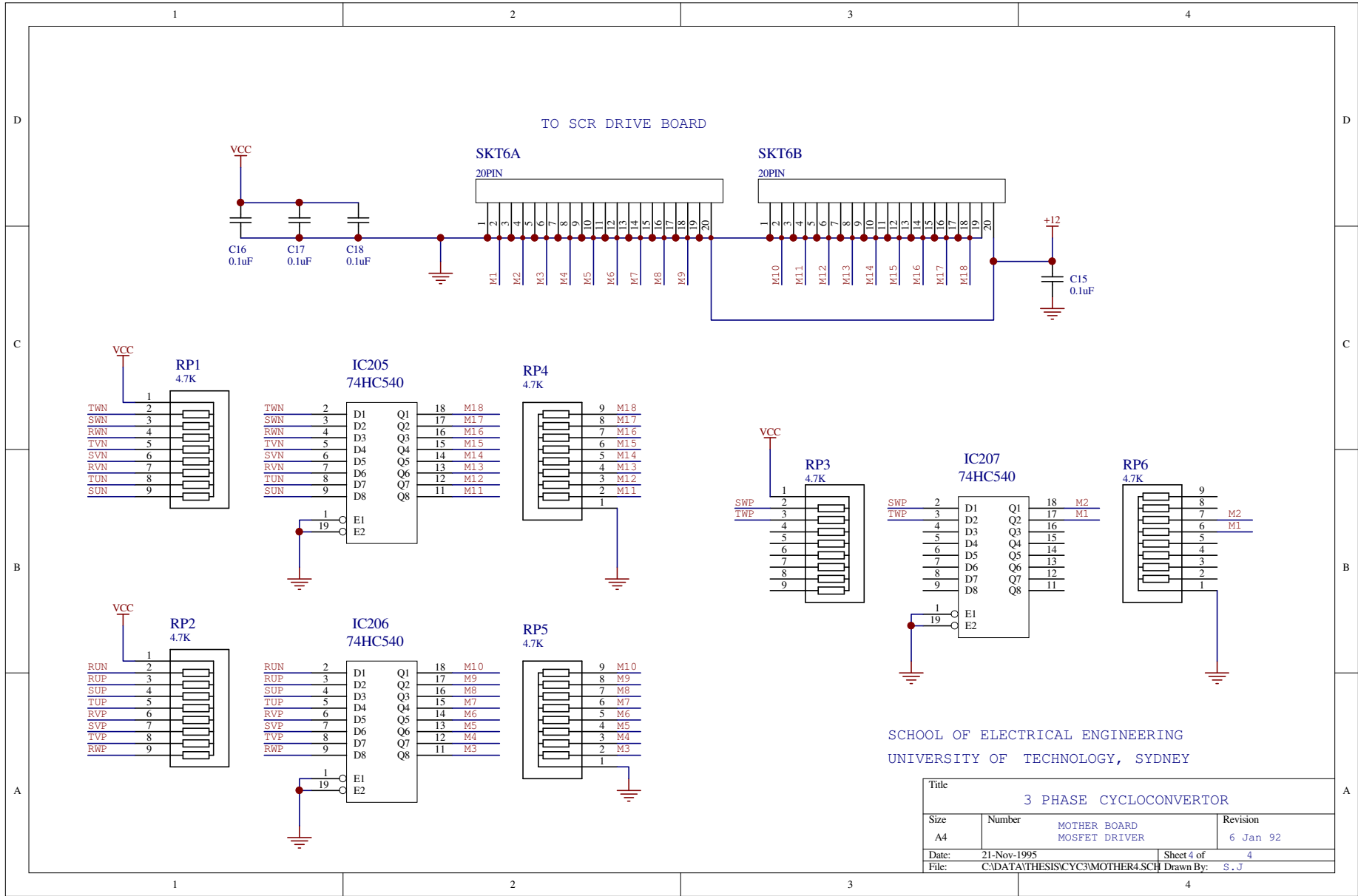


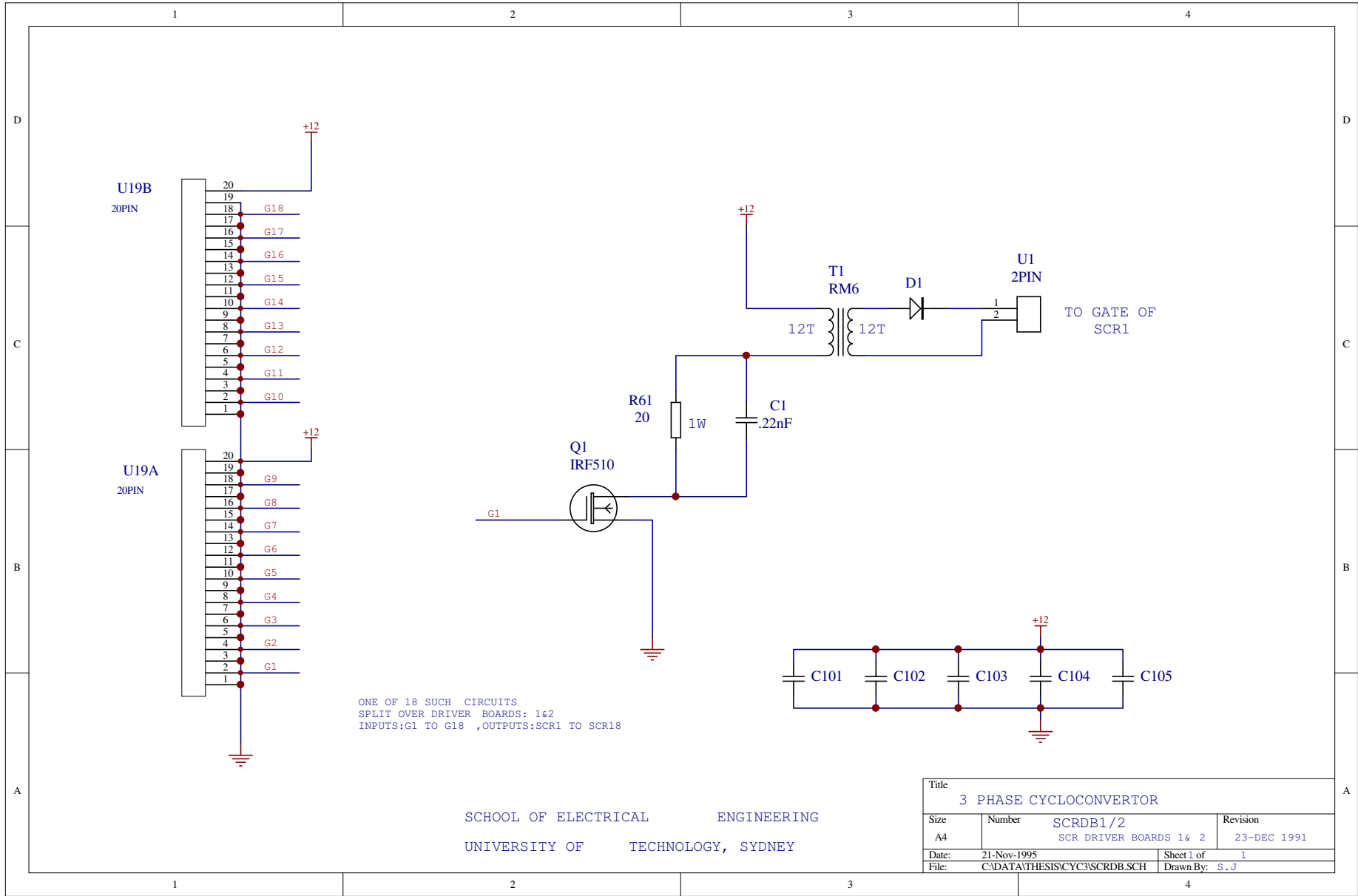
SCHOOL OF ELECTRICAL ENGINEERING
 UNIVERSITY OF TECHNOLOGY, SYDNEY

Title		
3 PHASE CYCLOCONVERTOR		
Size	Number	Revision
A4	MOTHER BOARD	15-NOV 1991
Date:	21-Nov-1995	Sheet 2 of 4
File:	C:\DATA\THESIS\CYC3\MOTHER2.SCH Drawn By S. J.	



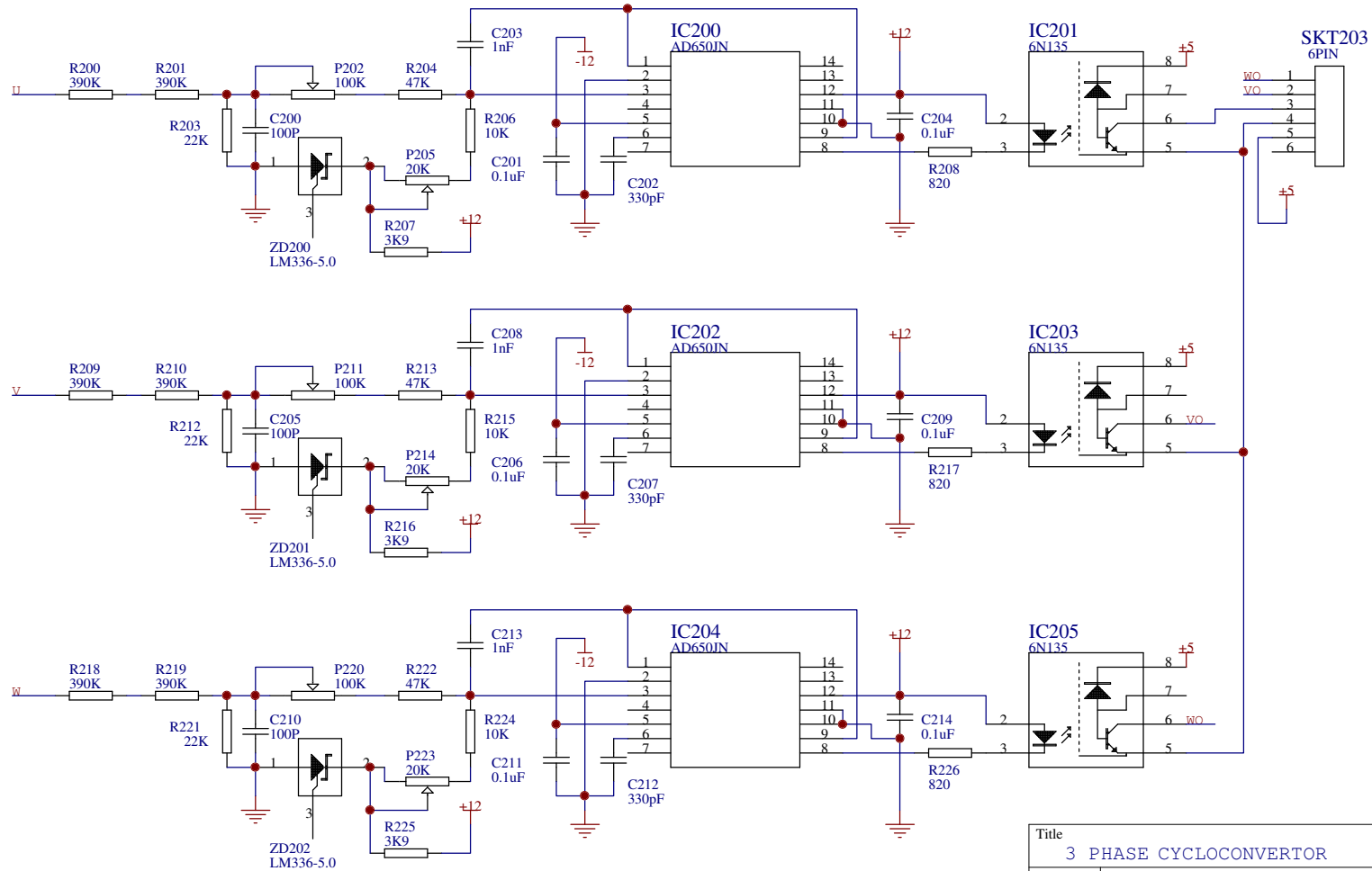
Title			
3 PHASE CYCLOCONVERTER			
Size	Number	MOTHER BOARD	Revision
A4		PHASE DETECTOR	15-NOV 1991
Date:	21-Nov-1995	Sheet 3 of	4
File:	C:\DATA\THESIS\CYC3\MOTHER3.SCH Drawn By S. J.		





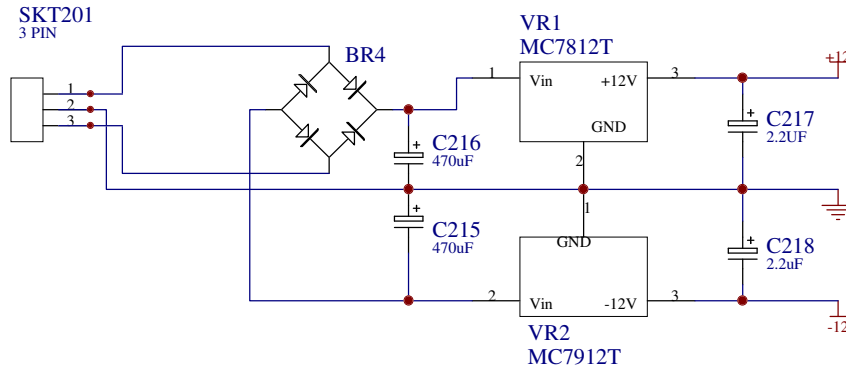
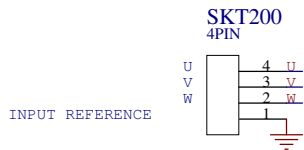
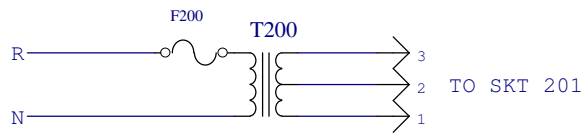
SCHOOL OF ELECTRICAL ENGINEERING
UNIVERSITY OF TECHNOLOGY, SYDNEY

Title 3 PHASE CYCLOCONVERTOR		
Size A4	Number SCRDB1/2 SCR DRIVER BOARDS 1& 2	Revision 23-DEC 1991
Date: 21-Nov-1995	Sheet 1 of 1	Drawn By: S. J
File: C:\DATA\THESIS\CYC3\SCRDB.SCH		



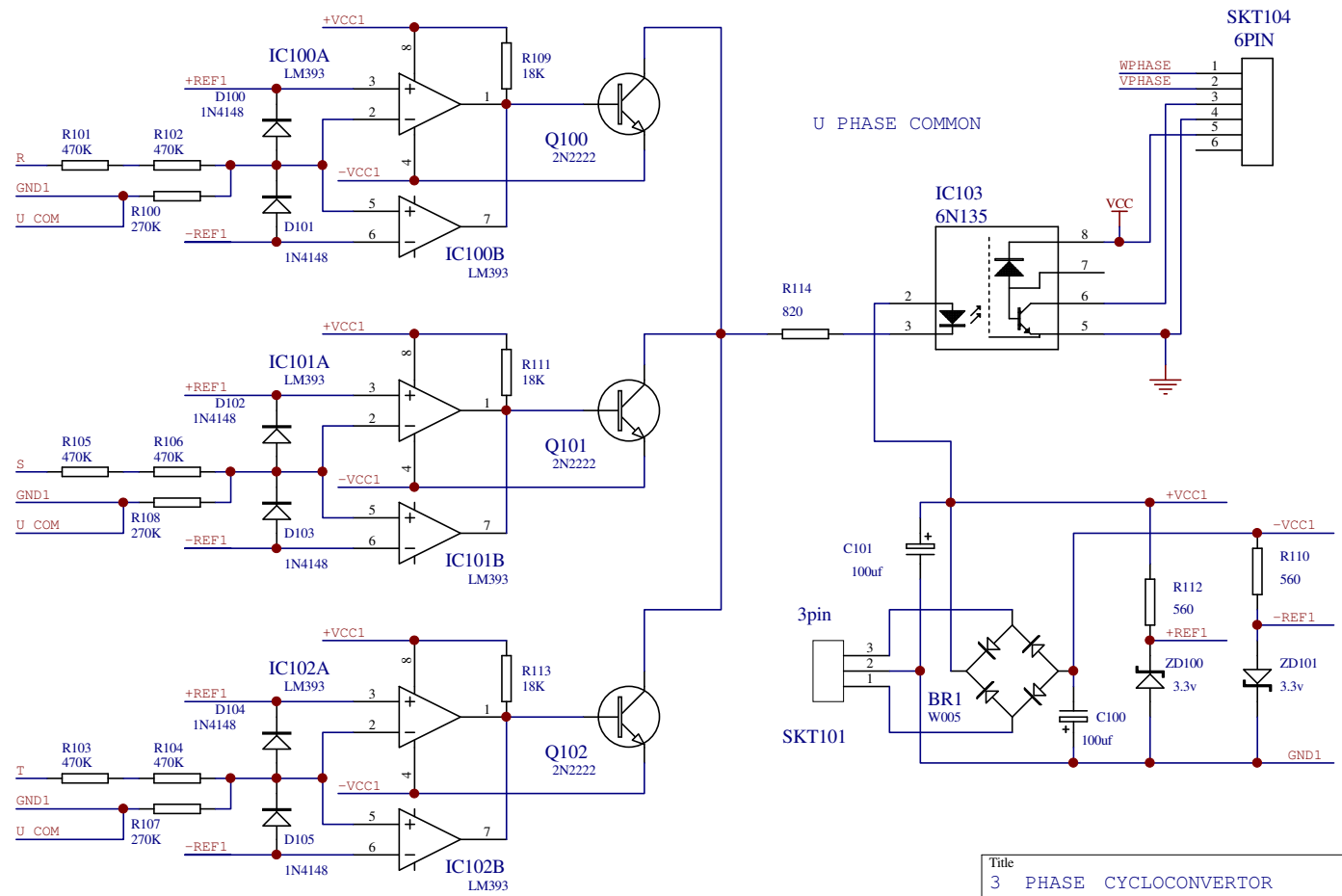
SCHOOL OF ELECTRICAL ENGINEERING
UNIVERSITY OF TECHNOLOGY, SYDNEY

Title		
3 PHASE CYCLOCONVERTOR		
Size	Number	Revision
A4	V TO F CONVERTOR	16-DEC 1991
Date:	21-Nov-1995	Sheet of 2
File:	C:\DATA\THESIS\CYC3\WEL SCH	Drawn By: J



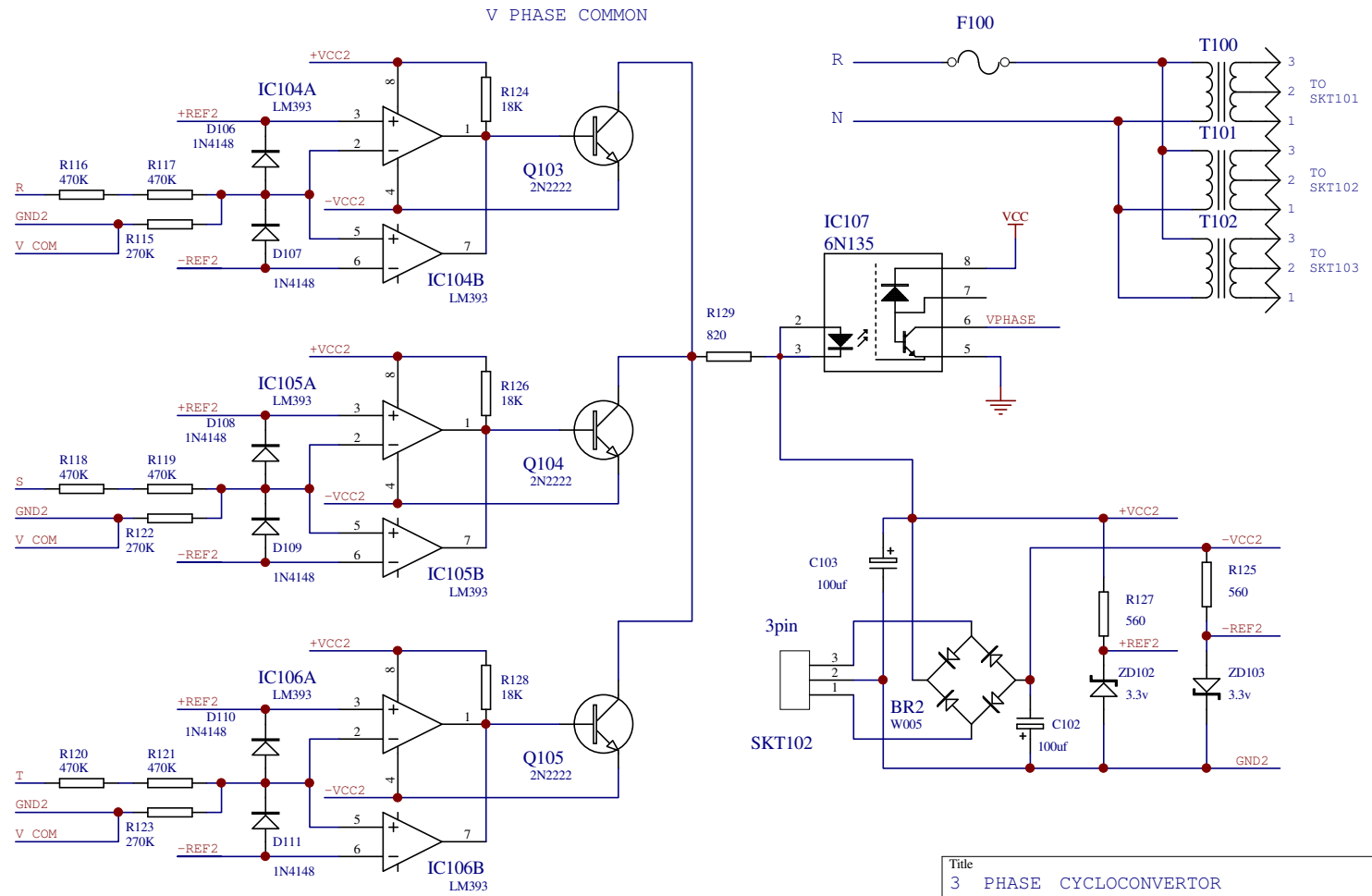
SCHOOL OF ELECTRICAL ENGINEERING
UNIVERSITY OF TECHNOLOGY, SYDNEY

Title 3 PHASE CYCLOCONVERTOR		
Size A4	Number V TO F CONVERTOR	Revision 16-DEC 1991
Date: 21-Nov-1995	Sheet 2	of 2
File: C:\DATA\THESIS\CYC3\WE2.SCH Drawn By: S. J.		



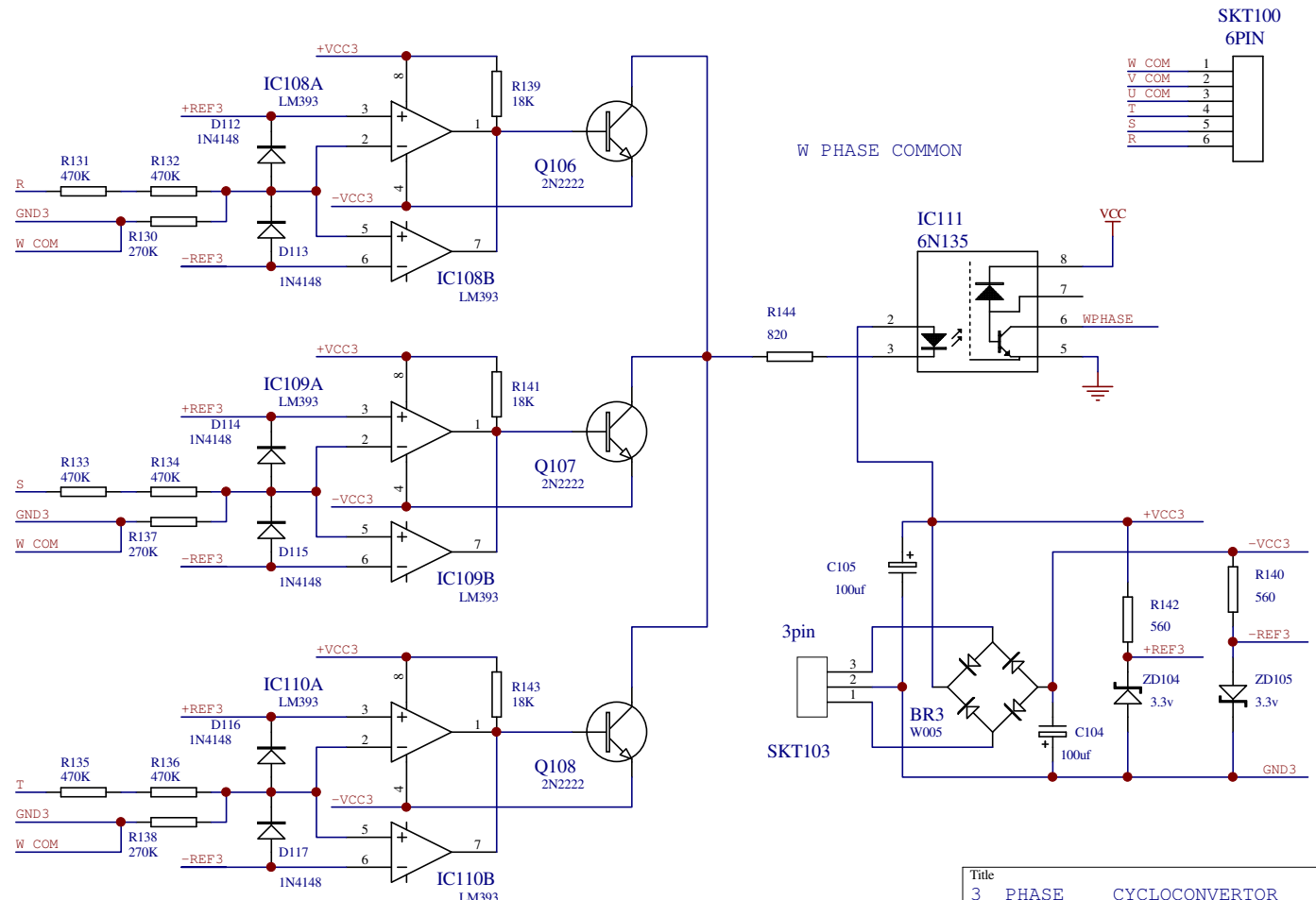
SCHOOL OF ELECTRICAL ENGINEERING
UNIVERSITY OF TECHNOLOGY, SYDNEY

Title 3 PHASE CYCLOCONVERTOR		
Size A4	Number ZERO CURRENT DETECTOR	Revision 20-DEC 1991
Date: 21-Nov-1995	Sheet 1 of 3	Drawn By: S. J
File: C:\DATA\THESIS\CYC3VCD1.SCH		

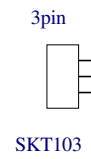
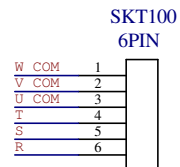


SCHOOL OF ELECTRICAL ENGINEERING
UNIVERSITY OF TECHNOLOGY, SYDNEY

Title 3 PHASE CYCLOCONVERTOR		
Size A4	Number ZERO CURRENT DETECTOR	Revision 20-DEC 1991
Date: 21-Nov-1995	Sheet 2 of 3	Drawn By: S. J
File: C:\DATA\THESIS\CYC3VCD2.SCH		



W PHASE COMMON



SCHOOL OF ELECTRICAL ENGINEERING
UNIVERSITY OF TECHNOLOGY, SYDNEY

Title 3 PHASE CYCLOCONVERTOR		
Size A4	Number ZERO CURRENT DETECTOR	Revision 20-DEC 1991
Date: 21-Nov-1995	Sheet 3 of 3	Drawn By: S. J
File: C:\DATA\THESIS\CYC3VCD3.SCH		

